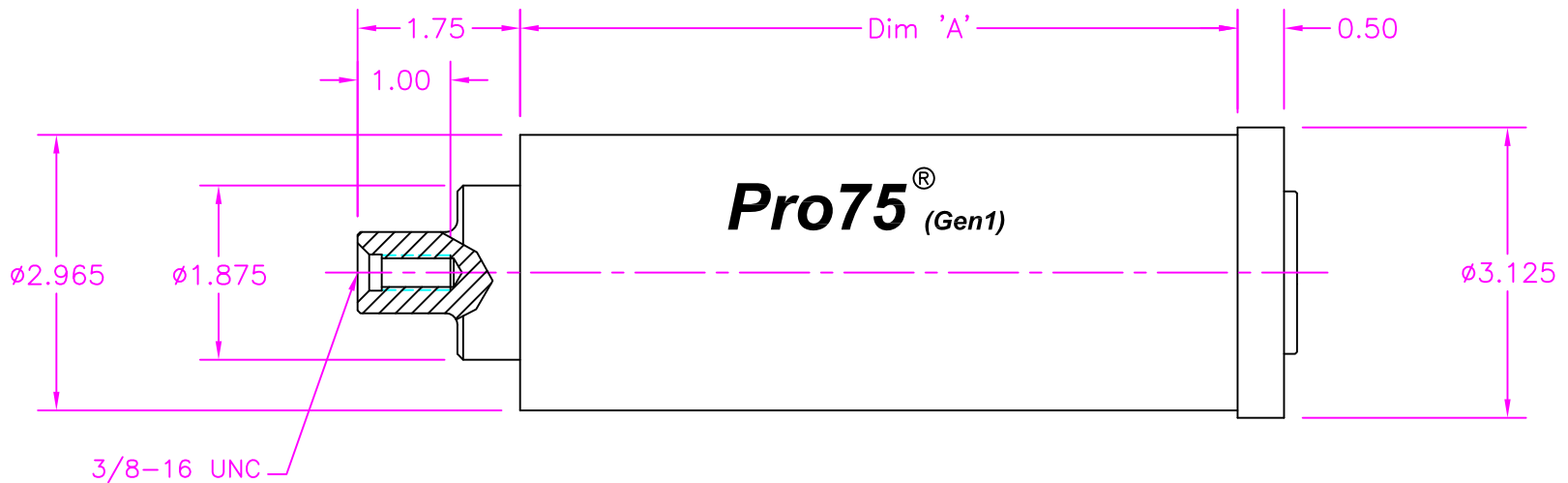
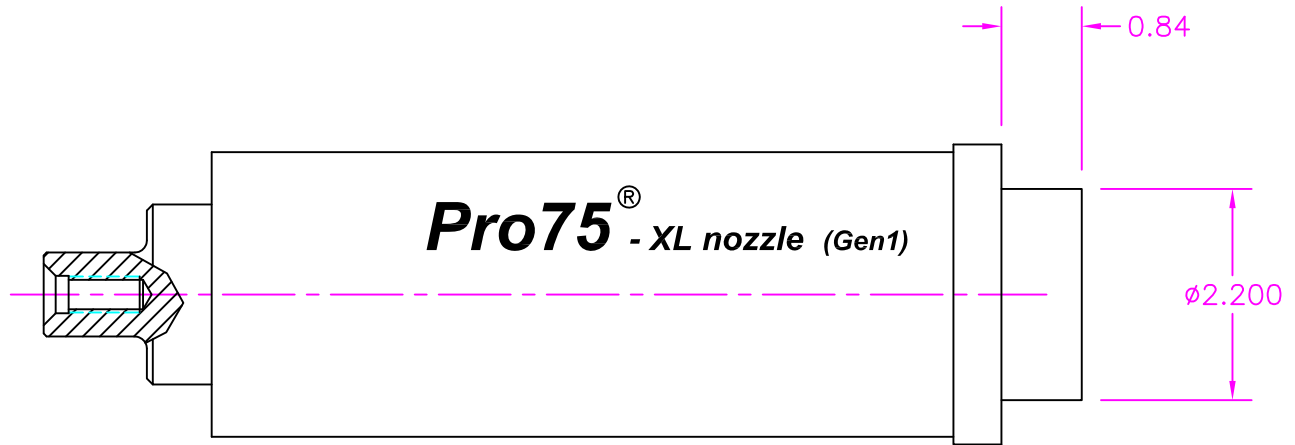


Type	DIM 'A'
1G	7.95
2G	13.28
3G	18.62
4G	23.95
5G	29.29
6G	34.62
6GXL	39.96



REV	DESCRIPTION	DRAWN	DATE
B	XL nozzle style added	JL	25/04/2013
A	6GXL length corrected	JL	28/11/2011

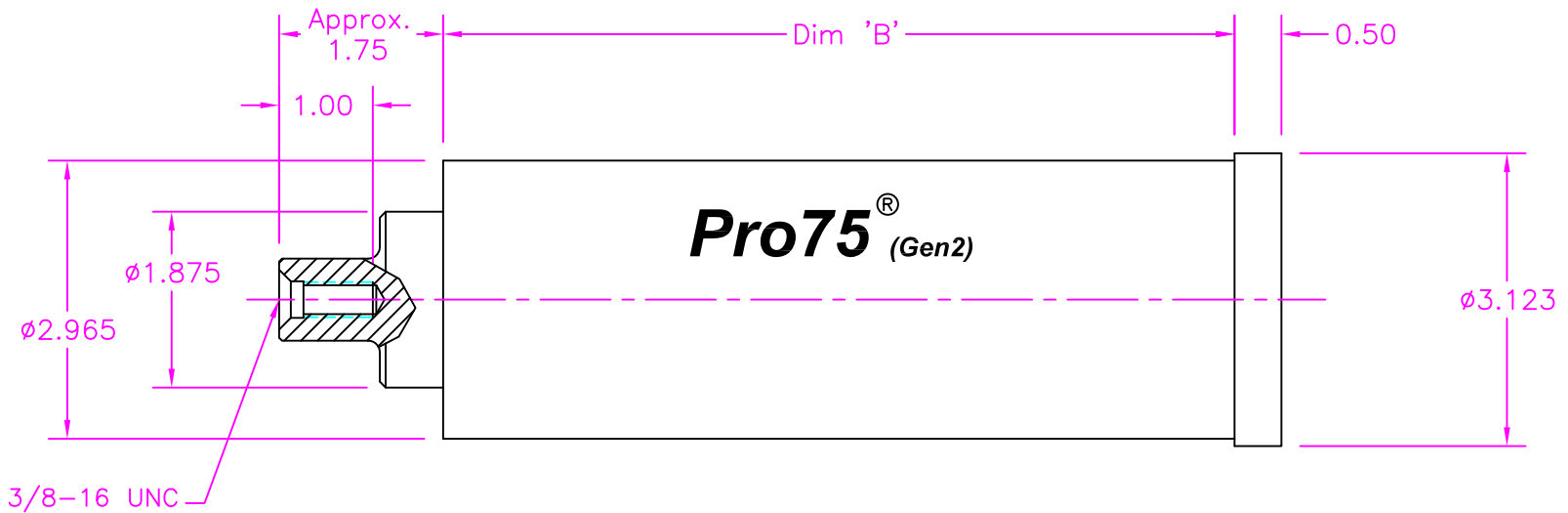
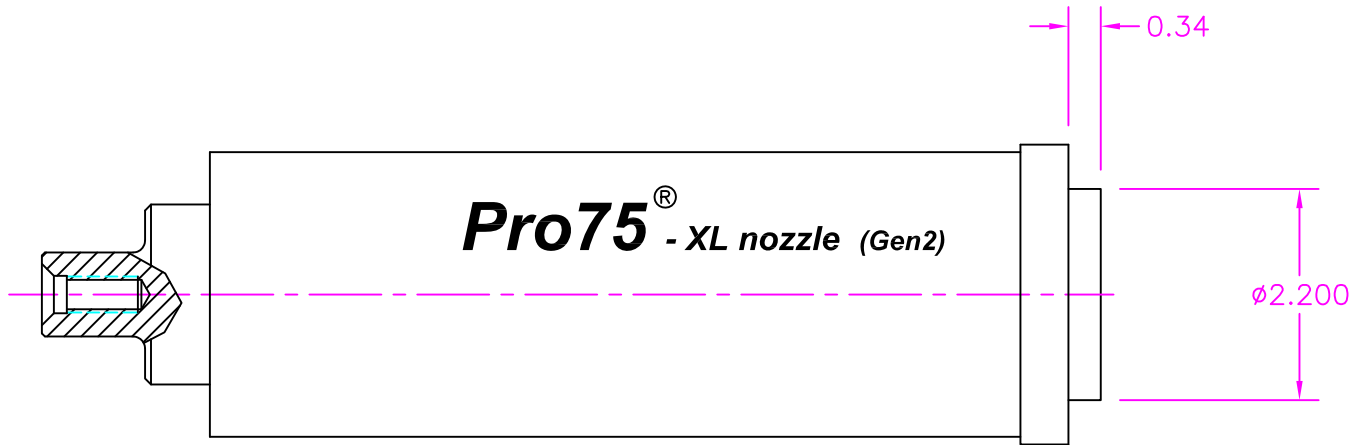
REVISIONS
All changes must be processed and reprinted. Destroy all previous copies.



**CESARONI
TECHNOLOGY
INCORPORATED**
2561 STOUFFVILLE ROAD GORMLEY ONTARIO CANADA

Unless Otherwise Specified X/X ± 1/64 .XX ± 0.010 .XXX ± 0.002 .XXXX ± 0.0005 X' ± 0°-30° BREAK ALL SHARP EDGES .01 X 45° CHAMFER ALL TAPPED HOLES 90° TO THREADED DIAMETER	THIS DOCUMENT CONTAINS CONFIDENTIAL PROPRIETARY INFORMATION. UNAUTHORIZED USE OR REPRODUCTION IS PROHIBITED.	SCALE: 1:2 DATE (DD/MM/YY): 28/11/11	FILE NAME: Pro75_dimensions.dwg
	DRAWN BY: A.L.T. WEIGHT: -	LINEAR MEASURE: INCHES [MM] CUSTOMER: -	DRAWING SIZE: A SURFACE TREATMENT: -

Type	DIM 'B'
1G	8.45
2G	13.78
3G	19.12
4G	24.45
5G	29.79
6G	35.12
6GXL	40.46



REV	DESCRIPTION	DRAWN	DATE

REVISIONS

All changes must be processed and reprinted. Destroy all previous copies.



**CESARONI
TECHNOLOGY
INCORPORATED**
2561 STOUFFVILLE ROAD GORMLEY ONTARIO CANADA

Unless Otherwise Specified
 X/X ± 1/64
 .XX ± 0.010
 .XXX ± 0.002
 .XXXX ± 0.0005
 X° ± 0°-30°
 BREAK ALL SHARP EDGES .01 X 45°
 CHAMFER ALL TAPPED HOLES 90° TO THREADED DIAMETER

THIS DOCUMENT CONTAINS CONFIDENTIAL PROPRIETARY INFORMATION. UNAUTHORIZED USE OR REPRODUCTION IS PROHIBITED.

SCALE: 1:2
 DATE (DD/MM/YY): 02/12/14
 DRAWN BY: A.L.T.
 LINEAR MEASURE: INCHES [MM]
 DRAWING SIZE: A
 WEIGHT: -
 CUSTOMER: -

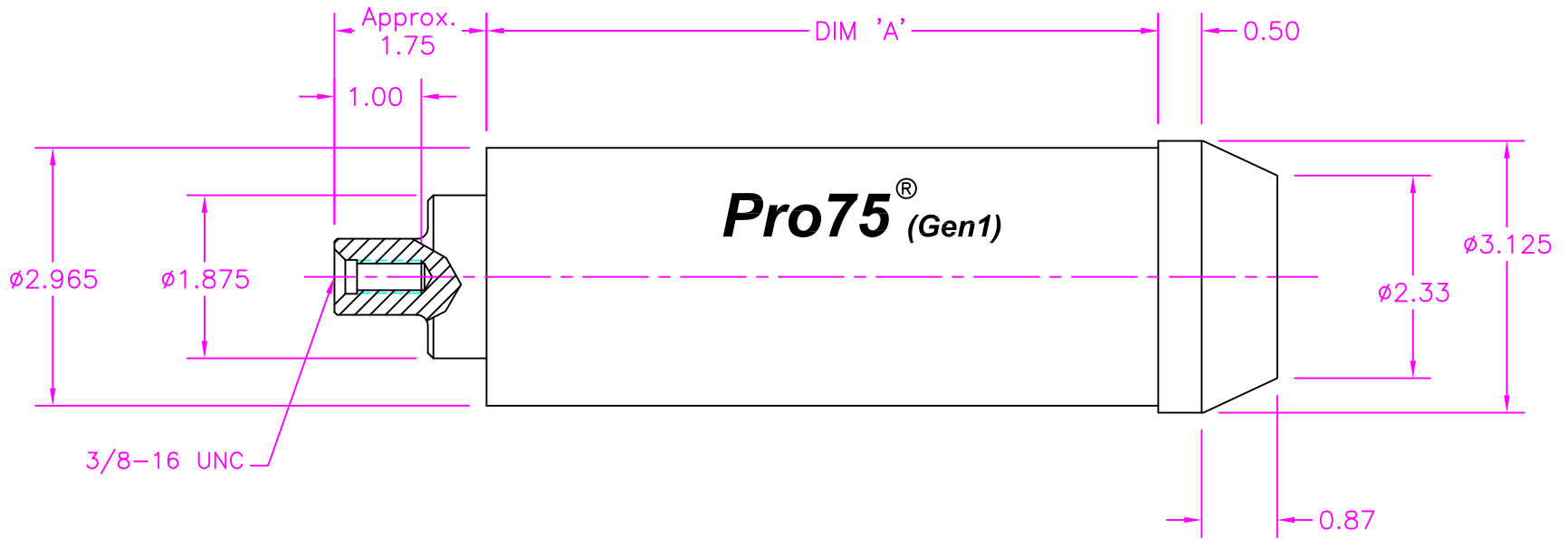
FILE NAME: Pro75-Gen2_dimensions.dwg
 TITLE: Pro75 Gen2 Motor Hardware Dimensions



MATERIAL: -
 SURFACE TREATMENT: -

SHEET: 1 OF 1
 PROJECT #: 0

Type	DIM 'A'
1G	7.95
2G	13.28
3G	18.62
4G	23.95
5G	29.29
6G	34.62
6GXL	39.96



Notes:
 1 - Boat Tail is to be only used with XL nozzle

REV	DESCRIPTION	DRAWN	DATE

REVISIONS
 All changes must be processed and reprinted. Destroy all previous copies.



**CESARONI
 TECHNOLOGY
 INCORPORATED**
 2561 STOUFFVILLE ROAD GORMLEY ONTARIO CANADA

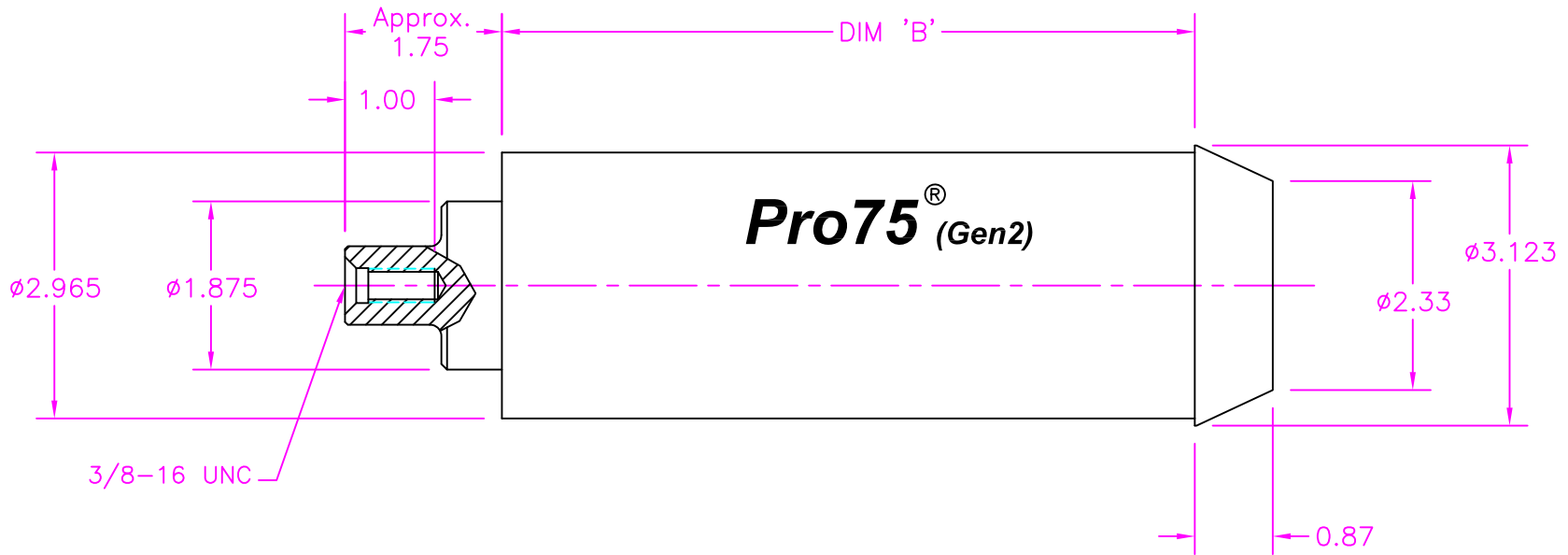
Unless Otherwise Specified
 X/X ± 1/64
 .XX ± 0.010
 .XXX ± 0.002
 .XXXX ± 0.0005
 X° ± 0°-30°
 BREAK ALL SHARP EDGES .01 X 45°
 CHAMFER ALL TAPPED HOLES 90° TO THREADED DIAMETER

THIS DOCUMENT CONTAINS CONFIDENTIAL PROPRIETARY INFORMATION. UNAUTHORIZED USE OR REPRODUCTION IS PROHIBITED.

SCALE: 1:2
 DATE (DD/MM/YY): 03/07/14
 DRAWN BY: A.L.T.
 LINEAR MEASURE: INCHES [MM]
 DRAWING SIZE: A
 WEIGHT: -
 CUSTOMER: -
 MATERIAL: -
 SURFACE TREATMENT: -

FILE NAME: Pro75BT_dimensions.dwg
 TITLE: Pro75 Gen1 Motor Hardware Dimensions with Boat Tail
 SHEET: 1 OF 1
 PROJECT #: 0

Type	DIM 'B'
1G	8.45
2G	13.78
3G	19.12
4G	24.45
5G	29.79
6G	35.12
6GXL	40.46



Notes:
 1 - Boat Tail is to be only used with XL nozzle

REV	DESCRIPTION	DRAWN	DATE

REVISIONS
 All changes must be processed and reprinted. Destroy all previous copies.



**CESARONI
 TECHNOLOGY
 INCORPORATED**
 2561 STOUFFVILLE ROAD GORMLEY ONTARIO CANADA

Unless Otherwise Specified
 X/X ± 1/64
 .XX ± 0.010
 .XXX ± 0.002
 .XXXX ± 0.0005
 X° ± 0°-30°
 BREAK ALL SHARP
 EDGES .01 X 45°
 CHAMFER ALL TAPPED HOLES
 90° TO THREADED DIAMETER

THIS DOCUMENT
 CONTAINS
 CONFIDENTIAL
 PROPRIETARY
 INFORMATION.
 UNAUTHORIZED USE
 OR REPRODUCTION
 IS PROHIBITED.

SCALE: 1:2
 DATE (DD/MM/YY): 22/09/15
 DRAWN BY: A.L.T.
 LINEAR MEASURE: INCHES [MM]
 DRAWING SIZE: A
 WEIGHT: -
 CUSTOMER: -
 MATERIAL: -
 SURFACE TREATMENT: -

FILE NAME: Pro75BT_dimensions.dwg
 TITLE: Pro75 Gen 2 Motor Hardware Dimensions with Boat Tail
 SHEET: 1 OF 1 PROJECT #: 0